



28,00 m

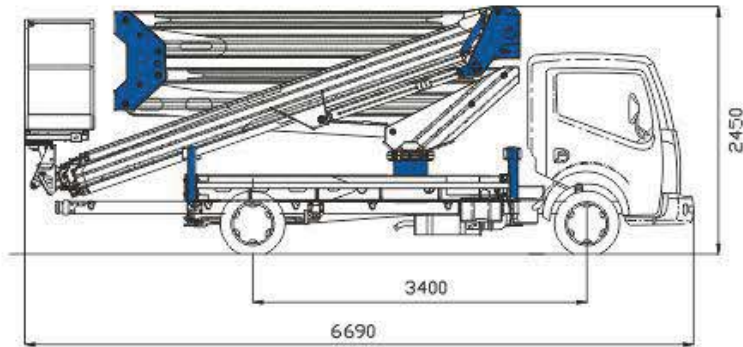
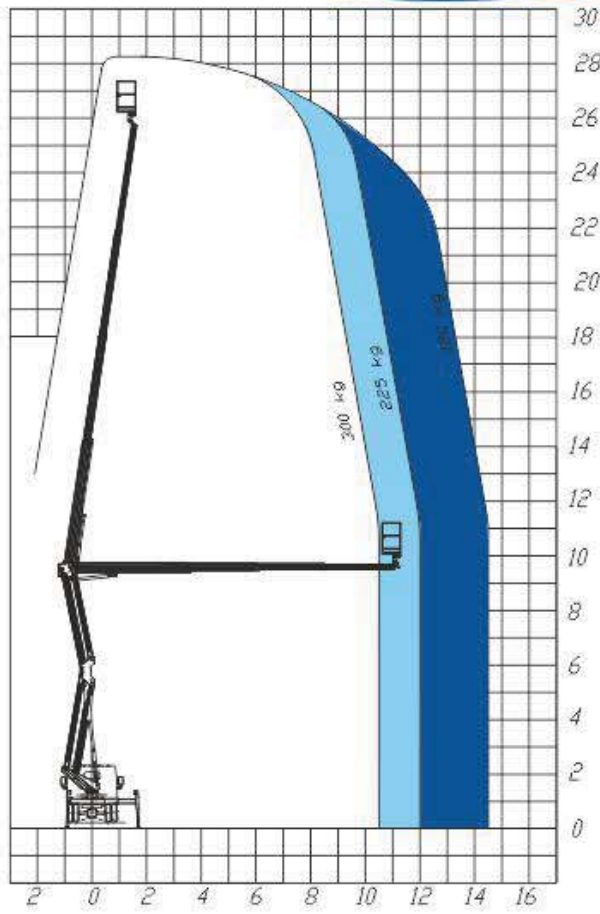
26,00 m

14,50 m

160x70x110

300 kg

700°



fatSte
28D



aluminium

90°+90°

electro
hydraulic

ME+ME

3,5 T